

Ultrasonic welding machine for medical industry

Business service

- Mechanical engineering
- Design and construction
- integration
- commissioning

Specification

- medical
- 100% control

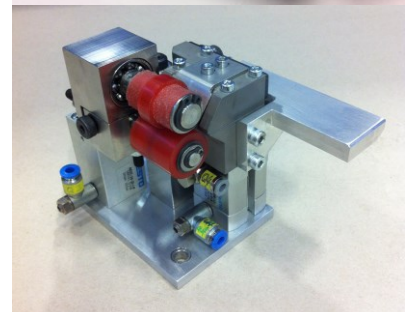
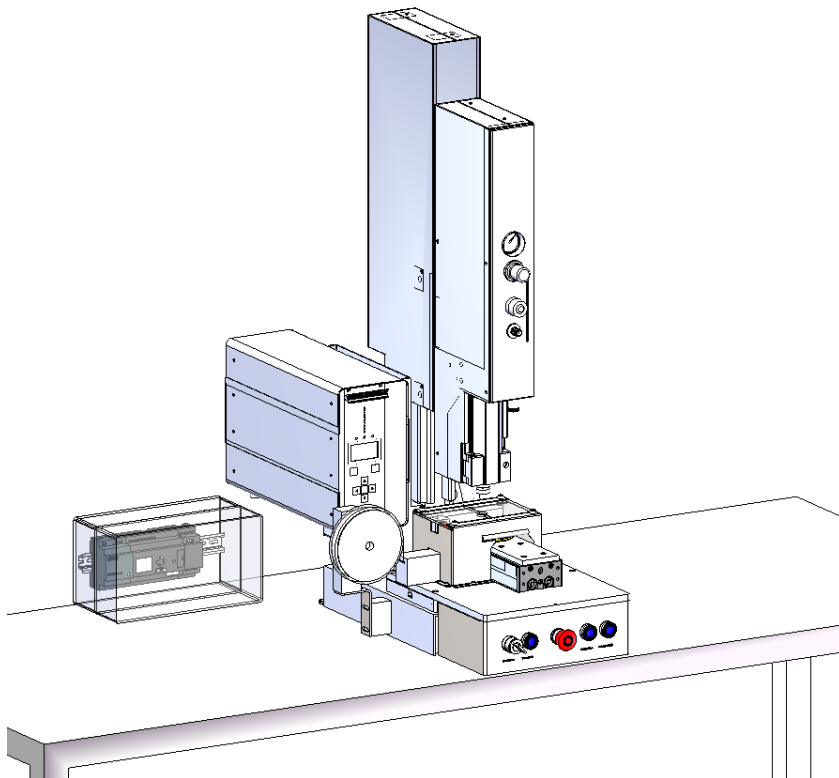
Project description

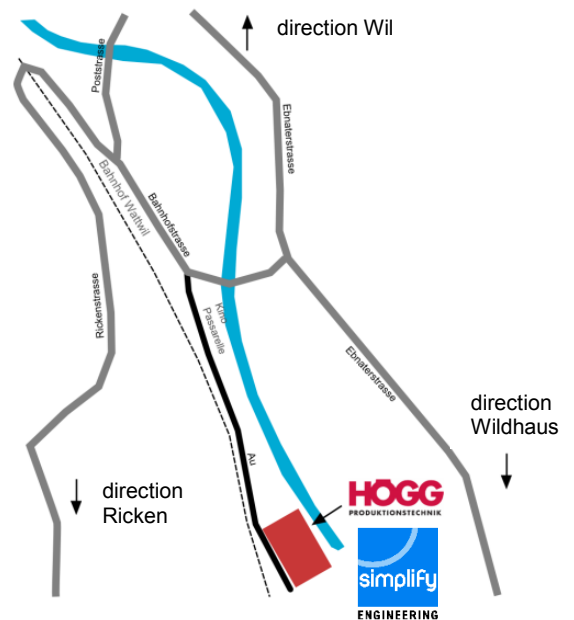
On the ultrasonic welding machine, cap be sealed with a foil. The foil is pneumatically conveyed and cut with a scissors cutting unit. The cycle time allows 900 pcs. per hour.

«simplify» solution

pneumatic feed, cut is according to the scissor principle

Status: start of production year 2014





The **Högg Holding AG** employs around 120 employees. The **Högg AG** production technology is a provider of precise mechanical manufacturing. The **Högg Lift System AG** has a complete stair-lift program, which is installed and maintained at the individual customers. The **simplify engineering AG** develops innovative products and solutions in all sectors of industries.



simplify engineering AG

Austrasse 25
CH-9630 Wattwil

phone: +41 (0)71 987 73 50
fax: +41 (0)71 987 73 59
email info@simplify-ag.ch
web www.simplify-ag.ch