

Welding construction according to EN15085

Business service

- Product development
- FEM simulation
- construction
- prototype

Specification

- Railway standard EN 15085
- Load 400Kg, reaction forces of emergency shock absorber
- Total 20 pcs.

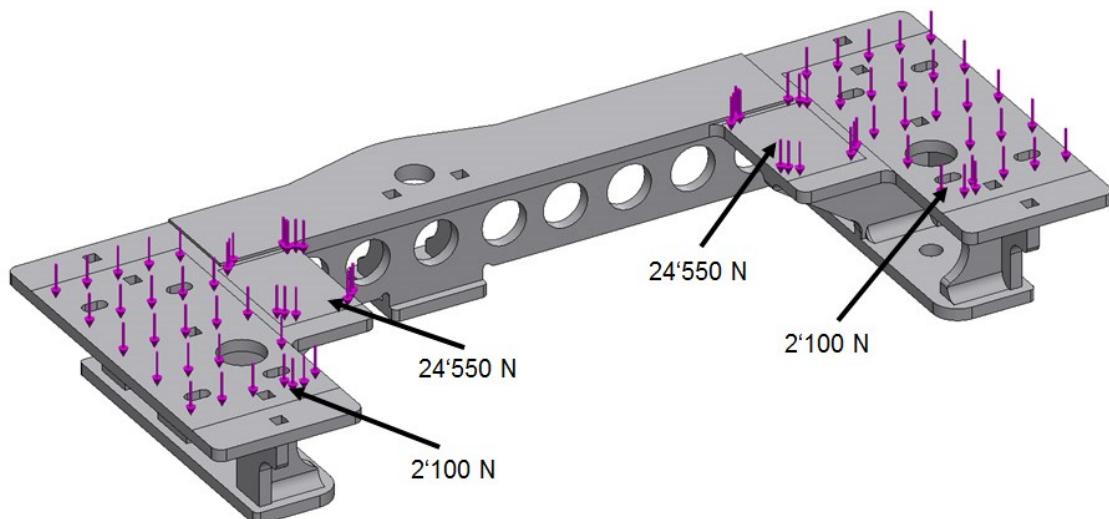
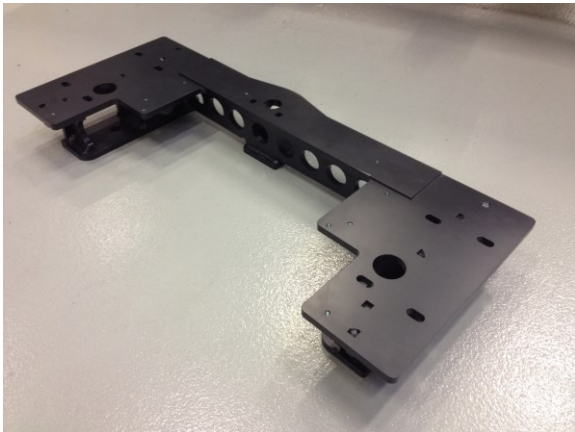
Status: production start year 2015

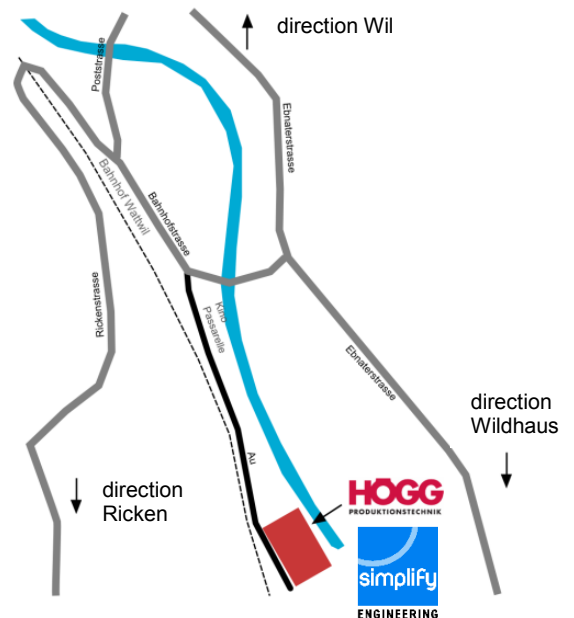
Project description

The welded construction according to EN 15085 is a support in the car body

«simplify» solution

- Use of aluminium AW-7020
- Approved with FEM calculation and testing





The **Högg Holding AG** employs around 120 employees. The **Högg AG** production technology is a provider of precise mechanical manufacturing. The **Högg Lift System AG** has a complete stair-lift program, which is installed and maintained at the individual customers. The **simplify engineering AG** develops innovative products and solutions in all sectors of industries.



simplify engineering AG

Austrasse 25
CH-9630 Wattwil

phone: +41 (0)71 987 73 50

fax: +41 (0)71 987 73 59

email info@simplify-ag.ch

web www.simplify-ag.ch