

hydraulic feeder

Business service

- Mechanical engineering
- Design and construction
- integration
- commissioning

Specification

- General mechanical engineering.
- Continuous milling pattern
- Accuracy up to 0.01mm adjustable

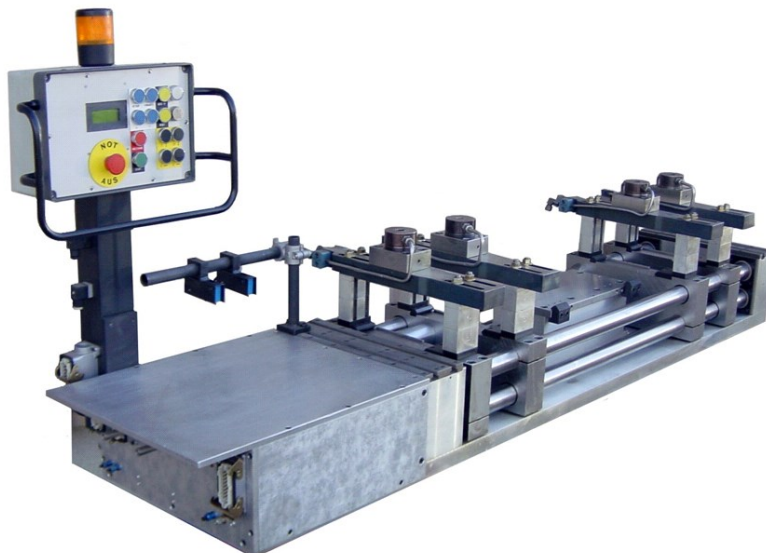
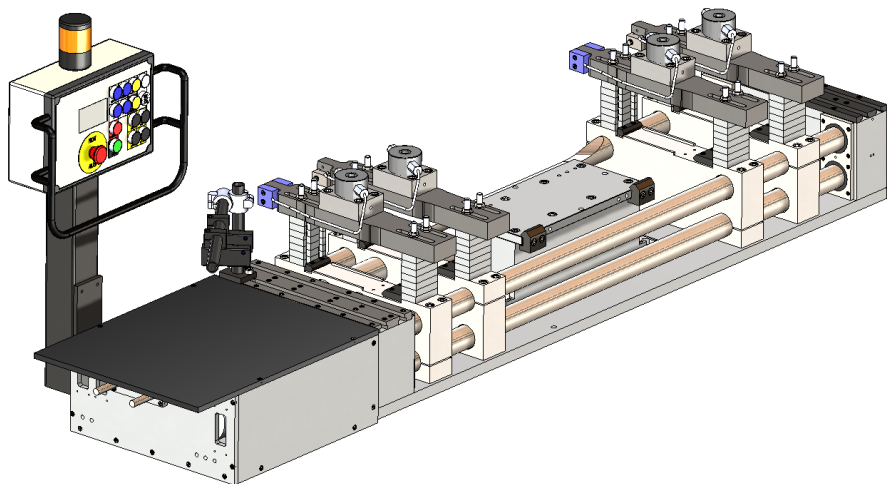
Status: continuous development

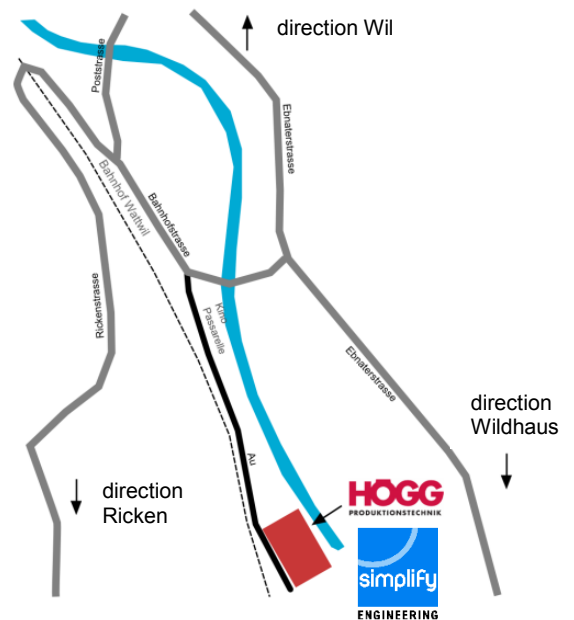
Project description

The feeder "pushes" the material thru to a conventional milling machine

«simplify» solution

- Develop only the most important





The **Högg Holding AG** employs around 120 employees. The **Högg AG** production technology is a provider of precise mechanical manufacturing. The **Högg Lift System AG** has a complete stair-lift program, which is installed and maintained at the individual customers. The **simplify engineering AG** develops innovative products and solutions in all sectors of industries.



simplify engineering AG

Austrasse 25
CH-9630 Wattwil

phone: +41 (0)71 987 73 50
fax: +41 (0)71 987 73 59
email info@simplify-ag.ch
web www.simplify-ag.ch